

LUZ 2 – ROUND

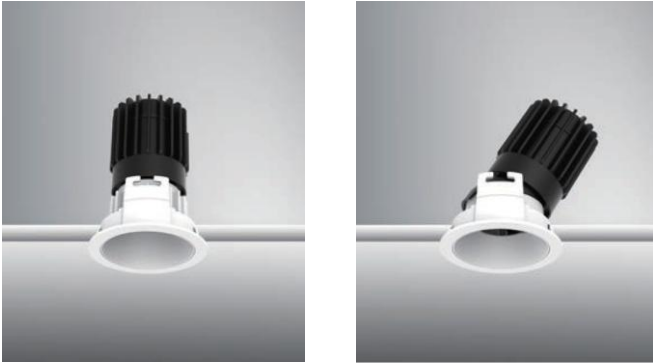
Fixture Type: _____

Type: _____

Project: _____

Location: _____

V2.8

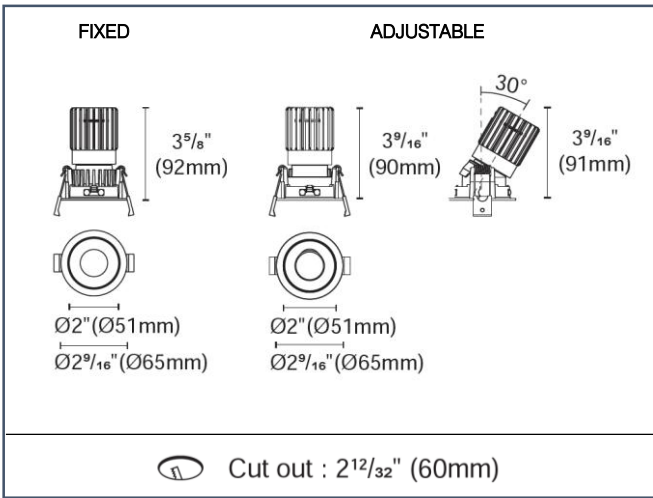


TECHNICAL SPECIFICATION

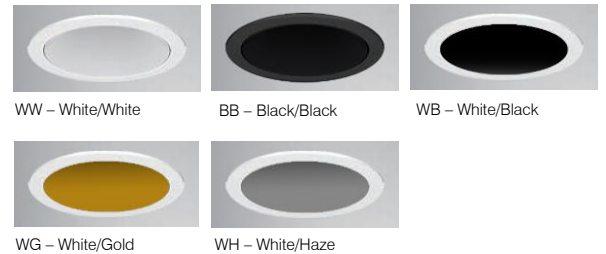
Minimum profile downlight with metal conduit and driver included for easy remodel or new construction installation.

SPECIFICATIONS

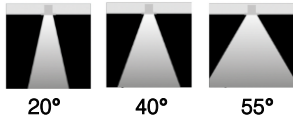
- Construction: Die-cast Aluminum
- Optics: PMMA Lens
- Power: 12W Input: 120-277 VAC, 50/60Hz
- CCT: 2700K, 3000K, 4000K
- CRI: +90
- LED Source: 766lm-767lm
- Beam Angle: 20°/40°/55°
- Adjustable fixture from 0° -30° Tilt – Rotation 0°-358°
- Dimming Options: DALI – TRIAC – 0-10V
- Light Source: Integrated LED Lens: TIR lens
- Rated Life: L80 >50000 Hours
- Finish: Electrostatically Powder Coated: White, Black, Haze and Gold (RAL options available).
- Standards: ETL, cETL, Wet and Damp Location Listed
- Fixed – Wet Location Rated
- Adjustable - Damp Location Rated



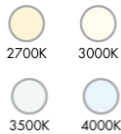
FINISHES



OPTICS



CCT



1. Trim Type

LUZ2-RFT = Round Reflector Fixed (766lm) **Wet**

LUZ2-RAT = Round Reflector Adjustable (767lm) **Damp**

2. Color Temperature

27 = 2700K
30 = 3000K
35 = 3500K
40 = 4000K

3. Optic

N = 20°
M = 40°
W = 55°

4. Finish

WW = White Trim / White Reflector
BB = Black Trim / Black Reflector
WB = White Trim / Black Reflector
WH = White Trim / Haze Reflector
WG = White Trim / Gold Reflector

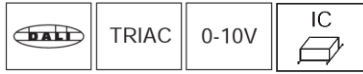
5. Dimming

Please see **Housing Ordering Sheet** (page 2)

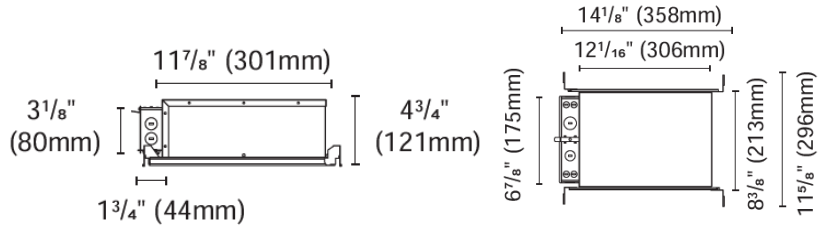
Accessories



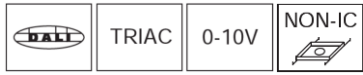
Example: **LUZ2-RFT-30-M-WW** = 2" Round Fixed Downlight – 3000K – 40° Optic – White Trim - White Reflector



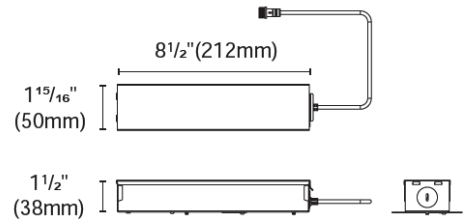
New Construction



LZNCIC-2



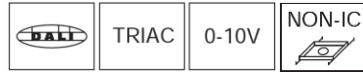
Remodel Gearbox



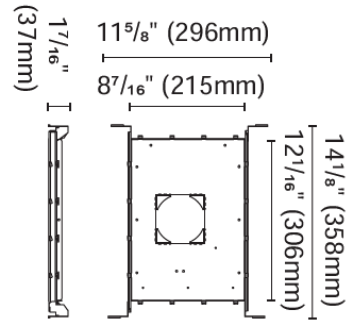
Internal space dimension:

L 8 1/4" (209mm) X W 1 7/8" (48mm) X H 1 9/16" (33mm)

LZREM-2



New Construction Plate



LZNCP-2

1. Trim Type

LZNCIC-2 = New Construction Housing – IC Rated

LZREM-2 = Remodel Housing (non IC)

2. CONTROL

TRIAC = TRIAC (120V)
0-10V = 0-10V (120-277V)
DALI = DALI (120-277V)

3. OPTIONS

EMB = Emergency Battery Holder / Battery Not Included



EMB – Emergency holder.

Accessory

LZNCP-2* = New Construction Plate (non IC)

*To be installed with LZREM-2

Example: **LZNCIC-2-TRIAC** = New Construction Housing – Triac Dimming