

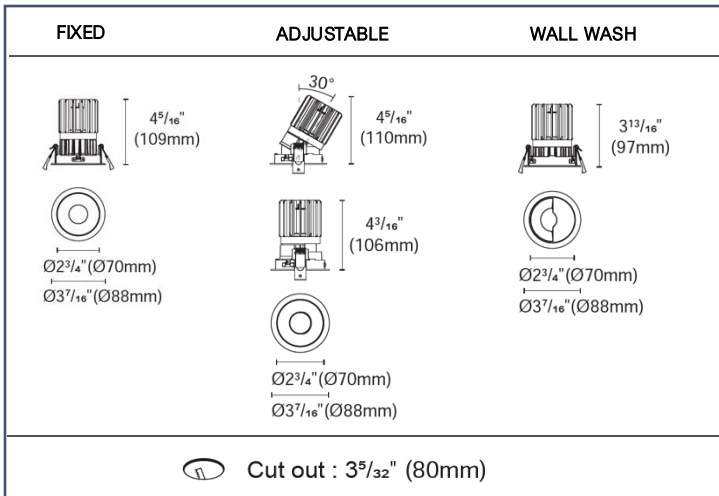


TECHNICAL SPECIFICATION

Minimum profile downlight with metal conduit and driver included for easy remodel or new construction installation.

SPECIFICATIONS

- Construction: Die-cast Aluminum
- Optics: PMMA Lens
- Power: 20W Input: 120-277 VAC, 50/60Hz
- CCT: 2700K, 3000K, 3500K, 4000K
- CRI: +90
- LED Source: 860lm-1362lm
- Beam Angle: 25°/35°/45°/ 55°/WW
- Adjustable fixture from 0° -30° Tilt – Rotation 0°-358°
- Dimming Options: DALI – TRIAC – 0-10V
- Light Source: Integrated LED Lens: TIR lens
- Rated Life: L80 >50000 Hours
- Finish: Electrostatically Powder Coated: White, Black, Hazel and Gold (RAL options available).
- Standards: ETL, cETL, Wet and Damp Location Listed
- Fixed and Wall Wash – Wet Location Rated
- Adjustable - Damp Location Rated



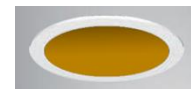
FINISHES



WW – White/White

BB – Black/Black

WB – White/Black



WG – White/Gold



WH – White/Haze

OPTICS



CCT



1. Trim Type

LUZ3-RFT = Round Reflector, Fixed, (1362lm) **Wet**

LUZ3-RAT = Round Reflector, Adjustable (1350lm) **Damp**

LUZ3-RWWT = Round Reflector, Wall Wash (860lm) **Wet**

2. Color Temperature

27 = 2700K

30 = 3000K

35 = 3500K

40 = 4000K

3. Optic

NS = 25° *

N = 35° *

M = 45° *

W = 55° *

WW = Wall Wash **

4. Finish

WW = White Trim / White Reflector

BB = Black Trim / Black Reflector

WH = White Trim / Haze Reflector

WG = White Trim / Gold Reflector

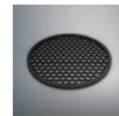
5. Dimming

Please see **Housing Ordering Sheet** (page 2)

Accessories



Stripped Glass
LASG-3



Honeycomb Louver
LAHL-3



Diffusion Sheet
LADS-3



Woven Glass
LAWG-3

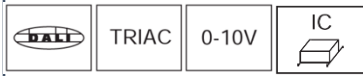


Suction Cup
LASC-3

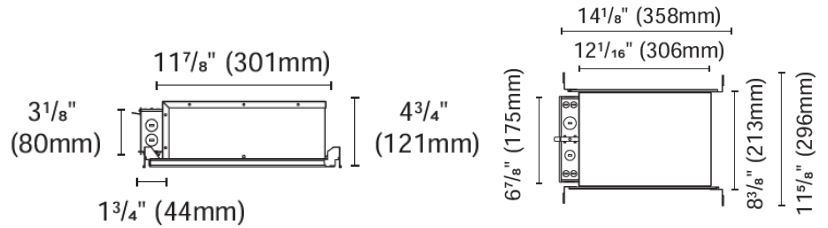
* Not available for LUZ3-RWWT

** Only available optic for LUZ3-RWWT

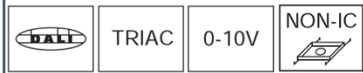
Example: **LUZ3-RFT-30-M-WW** = 3" Round Fixed Downlight – 3000K – 45° Optic – White Trim/ White Reflector



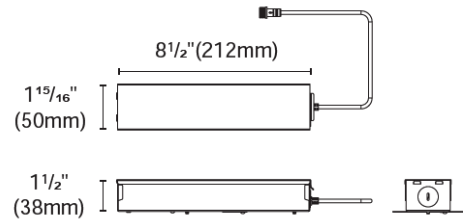
New Construction



LZNCIC-3



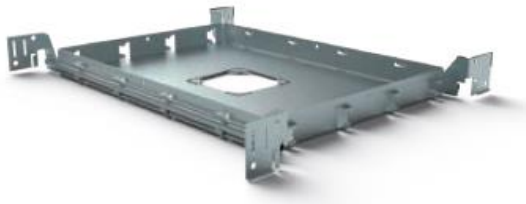
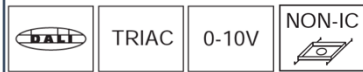
Remodel Gearbox



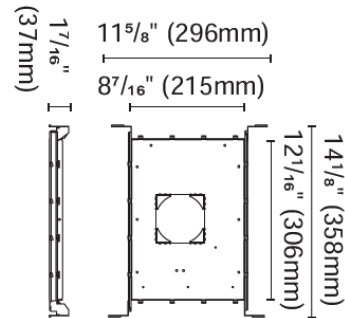
Internal space dimension:

L 8 1/4" (209mm) X W 1 7/8" (48mm) X H 1 9/16" (33mm)

LZREM-3



New Construction Plate



LZNCP-3

1. Trim Type

LZNCIC-3 = New Construction Housing – IC Rated

LZREM-3 = Remodel Housing (non IC)

2. CONTROL

TRIAC = TRIAC (120V)
0-10V = 0-10V (120-277V)
DALI = DALI (120-277V)

3. OPTIONS

EMB = Emergency Battery Holder / Battery Not Included



EMB – Emergency holder.

Accessory

LZNCP-3* = New Construction Plate (non IC)

*To be installed with LZREM-2

Example: **LZNCIC-3-TRIAC** = New Construction Housing – Triac Dimming