

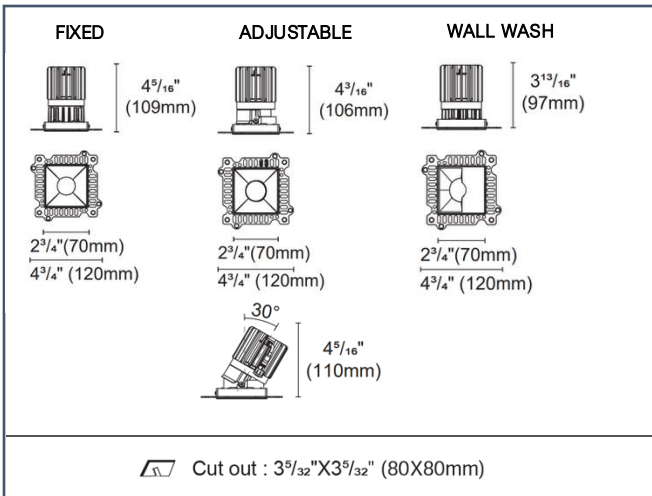


TECHNICAL SPECIFICATION

Minimum profile downlight with metal conduit and driver included for easy remodel or new construction installation.

SPECIFICATIONS

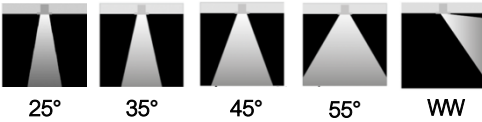
- Construction: Die-cast Aluminum
- Optics: PMMA Lens
- Power: 20W Input: 120-277 VAC, 50/60Hz
- CCT: 2700K, 3000K, 3500K, 4000K
- CRI: +90
- LED Source: 867lm-1374lm
- Beam Angle: 20°/40°/45° /55° /WW
- Adjustable fixture from 0° -30° Tilt – Rotation 0°-358°
- Dimming Options: DALI – TRIAC – 0-10V
- Light Source: Integrated LED Lens: TIR lens
- Rated Life: L80 >50000 Hours
- Finish: Electrostatically Powder Coated: White, Black, Hazel and Gold (RAL options available).
- Standards: ETL, cETL, Wet and Damp Location Listed
- Fixed and Wall wash – Wet Location Rated
- Adjustable - Damp Location Rated



FINISHES



OPTICS



CCT



1. Trim Type

- LUZ3-SFTL** = Square Reflector, Fixed, Trim (1374lm) **Wet**
- LUZ3-SATL** = Square Reflector, Adjustable, Trim (1357lm) **Damp**
- LUZ3-SWWTL** = Square Reflector, Wall Wash, Trim (867lm) **Wet**

2. Color Temperature

- 27** = 2700K
30 = 3000K
35 = 3500K
40 = 4000K

3. Optic

- N** = 25°*
M = 35°*
W = 55°*
WW = Wall Wash**

4. Finish

- W** = White Reflector
B = Black Reflector
GD = Gold Reflector
HZ = Haze Reflector

5. Dimming

Please see Housing Ordering Sheet (page 2)

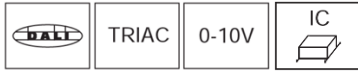
Accessories



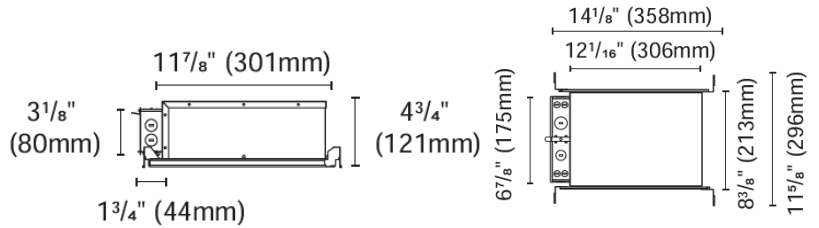
* Not available for LUZ3-SWWTL

** Only available optic for LUZ3-SWWTL

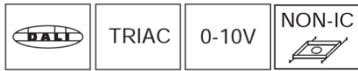
Example: **LUZ3-SFTL-30-M-W** = 3" Square Trimless Fixed Downlight – 3000K – 35° Optic – White Reflector



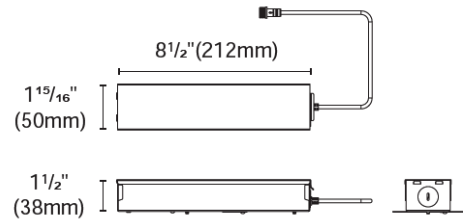
New Construction



LZNCIC-3



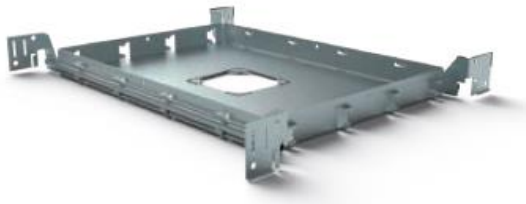
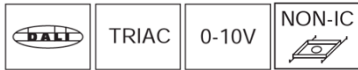
Remodel Gearbox



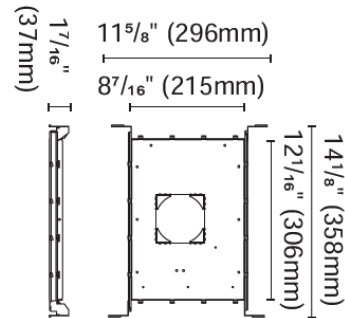
Internal space dimension:

L 8 1/4" (209mm) X W 1 7/8" (48mm) X H 1 5/16" (33mm)

LZREM-3



New Construction Plate



LZNCP-3

1. Trim Type

LZNCIC-3 = New Construction Housing – IC Rated

LZREM-3 = Remodel Housing (non IC)

2. CONTROL

TRIAC = TRIAC (120V)
0-10V = 0-10V (120-277V)
DALI = DALI (120-277V)

3. OPTIONS

EMB = Emergency Battery Holder / Battery Not Included

Accessory

LZNCP-3* = New Construction Plate (non IC)



EMB – Emergency holder.

*To be installed with LZREM-2

Example: **LZNCIC-3-TRIAC** = New Construction Housing – Triac Dimming