

TECHNICAL SPECIFICATION

Minimum profile downlight with metal conduit and driver included for easy remodel or new construction installation.

SPECIFICATIONS

- Construction: Die-cast Aluminum
- Optics: PMMA Lens
- Power: RO 21W Input: 120-277 VAC, 50/60Hz
- Power: HO 30W Input: 120-277 VAC, 50/60Hz
- CCT: 2700K, 3000K, 3500K, 4000K
- CRI: +90
- LED Source: 1109lm-2263lm
- Beam Angle: 20°/30°/45°/55°/WW
- Adjustable fixture from 0° -30° Tilt – Rotation 0°-358°
- Dimming Options: DALI – TRIAC – 0-10V
- Light Source: Integrated LED Lens: TIR lens
- Rated Life: L80 >50000 Hours
- Finish: Electrostatically Powder Coated: White, Black, Hazel and Gold (RAL options available).
- Standards: ETL, cETL, Wet and Damp Location Listed
- Fixed and Wall wash – Wet Location Rated
- Adjustable - Damp Location Rated

	FIXED	ADJUSTABLE	WALL WASH
REGULAR OUTPUT (RO)	3 7/8" (99mm)	4 1/8" (104mm)	3 1/16" (78mm)
	3 9/16" (90mm) 5 15/16" (151mm)	3 9/16" (90mm) 5 15/16" (151mm)	3 9/16" (90mm) 5 15/16" (151mm)
HIGH OUTPUT (RO)	5" (127mm)	5 3/8" (135mm)	4 1/4" (108mm)
	3 9/16" (90mm) 5 15/16" (151mm)	3 9/16" (90mm) 5 15/16" (151mm)	3 9/16" (90mm) 5 15/16" (151mm)

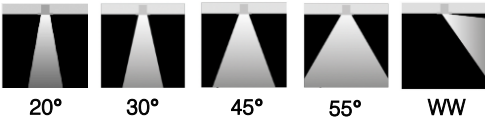
Cut out : 3³⁰/₃₂" X 3³⁰/₃₂" (100X100mm)



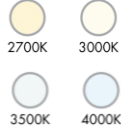
FINISHES



OPTICS



CCT



1. Trim Type

LUZ4-RO-SFTL = Round Reflector, Fixed, Trim (1639lm) **Wet**

LUZ4-HO-SFTL = Round Reflector, Fixed, Trim (2307lm) **Wet**

LUZ4-RO-SATL = Round Reflector, Adjustable, Trim (1616lm) **Damp**

LUZ4-HO-SATL = Round Reflector, Adjustable, Trim (2250lm) **Damp**

LUZ4-RO-SWWTL = Round Reflector, Wall Wash, Trim (1097lm) **Wet**

LUZ4-HO-SWWTL = Round Reflector, Wall Wash, Trim (1500lm) **Wet**

2. Color Temperature

27 = 2700K

30 = 3000K

35 = 3500K

40 = 4000K

3. Optic

NS = 20°*

N = 30°*

M = 40°*

W = 55°*

WW = Wall Wash**

4. Finish

W = White Reflector

B = Black Reflector

HZ = Haze Reflector

GD = Gold Reflector

5. Dimming

Please see Housing Ordering Sheet (page 2)

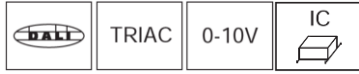
Accessories



* Not available for LUZ4-SWWTL

** Only available optic for LUZ4-SWWTL

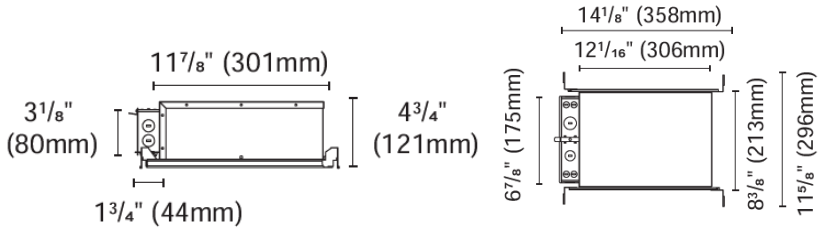
Example: **LUZ4-HO-SFTL-30-M-W** = 4" High Output Square Trimless Fixed Downlight – 3000K – 40° Optic – White Reflector



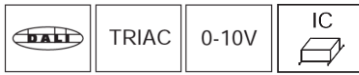
For LUZ4 / RO



New Construction



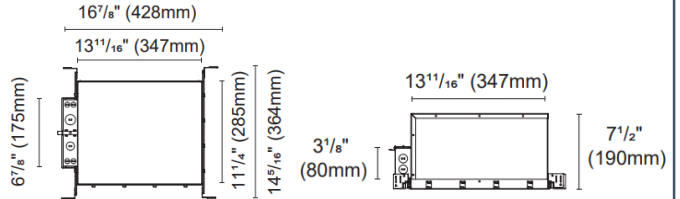
LZNCIC-4



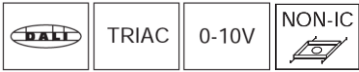
For LUZ4 / HO



New Construction



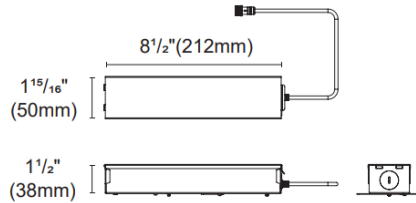
LZNCIC-45



For LUZ4 / RO



Remodel



Internal space dimension:
L 8 1/4" (209mm) X W 1 7/8" (48mm) X H 1 5/16" (33mm)

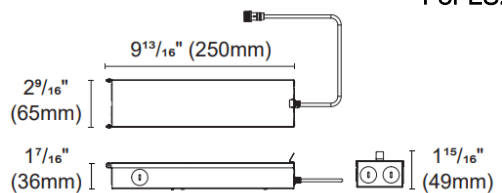
LZREM-4



For LUZ4 / HO




Remodel




Internal space dimension:
L 9 3/16" (250mm) X W 2 1/2" (64mm) X H 1 5/16" (34mm)

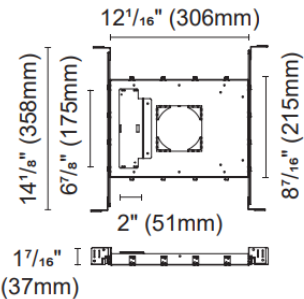
LZREM-45




TRIAC

0-10V







New Construction Plate

LZNCP-4

1. Trim Type

- LZNCIC-4*** = New Construction Housing – IC Rated
- LZNCIC-45**** = New Construction Housing – IC Rated
- LZREM-4*** = Remodel Housing (non IC)
- LZREM-45**** = Remodel Housing (non IC)

2. CONTROL

- TRIAC** = TRIAC (120V)
- 0-10V** = 0-10V (120-277V)
- DALI** = DALI (120-277V)

3. OPTIONS

- EMB** = Emergency Battery Holder / Battery Not Included



* To be used with Luz4 RO / ** To be used with Luz4 HO

Accessory

- LZNCP-4***** = New Construction Plate (non IC)

*To be installed with LZREM-34 or LZREM-45

Example: **LZNCIC-4-TRIAC** = New Construction Housing – Triac Dimming