



### TECHNICAL SPECIFICATION

Minimum profile downlight with metal conduit and driver included for easy remodel or new construction installation.

### SPECIFICATIONS

- Construction: Die-cast Aluminum
- Optics: PMMA Lens
- Power: RO 21W Input: 120-277 VAC, 50/60Hz
- Power: HO 30W Input: 120-277 VAC, 50/60Hz
- CCT: 2700K, 3000K, 3500K, 4000K
- CRI: +90
- LED Source: 1109lm-2263lm
- Beam Angle: 20°/30°/45°/55°/WW
- Adjustable fixture from 0° -30° Tilt – Rotation 0°-358°
- Dimming Options: DALI – TRIAC – 0-10V
- Light Source: Integrated LED Lens: TIR lens
- Rated Life: L80 >50000 Hours
- Finish: Electrostatically Powder Coated: White, Black, Hazel and Gold (RAL options available).
- Standards: ETL, cETL, Wet and Damp Location Listed
- Fixed and Wall wash – Wet Location Rated
- Adjustable - Damp Location Rated

	FIXED	ADJUSTABLE	WALL WASH
<b>REGULAR OUTPUT (RO)</b>	 3 3/16" (99mm) 3 3/16" (90mm) 4 7/16" (112mm)	 30° 4 1/8" (104mm) 3 3/16" (90mm) 4 7/16" (112mm)	 3 3/16" (78mm) 3 3/16" (90mm) 4 7/16" (112mm)
	 5" (127mm) 3 3/16" (90mm) 4 7/16" (112mm)	 30° 5 5/16" (135mm) 3 3/16" (90mm) 4 7/16" (112mm)	 4 1/2" (108mm) 3 3/16" (90mm) 4 7/16" (112mm)
Cut out : 3 <sup>30</sup> / <sub>32</sub> " X 3 <sup>30</sup> / <sub>32</sub> " (100X100mm)			



### FINISHES

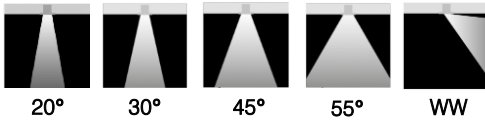


WW – White/White      BB – Black/Black      WB – White/Black

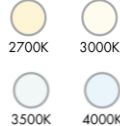


WG – White/Gold      WH – White/Haze

### OPTICS



### CCT



#### 1. Trim Type

- LUZ4-RO-SFT** = Round Reflector, Fixed, Trim (1639lm) **Wet**
- LUZ4-HO-SFT** = Round Reflector, Fixed, Trim (2307lm) **Wet**
- LUZ4-RO-SAT** = Round Reflector, Adjustable, Trim (1616lm) **Damp**
- LUZ4-HO-SAT** = Round Reflector, Adjustable, Trim (2250lm) **Damp**
- LUZ4-RO-SWWT** = Round Reflector, Wall Wash, Trim (1097lm) **Wet**
- LUZ4-HO-SWWT** = Round Reflector, Wall Wash, Trim (1500lm) **Wet**

#### 2. Color Temperature

- 27** = 2700K
  - 30** = 3000K
  - 35** = 3500K
  - 40** = 4000K
- #### 3. Optic
- NS** = 20°\*
  - N** = 30°\*
  - M** = 40°\*
  - W** = 55°\*
  - WW** = Wall Wash\*\*

#### 4. Finish

- WW** = White Trim / White Reflector
- BB** = Black Trim / Black Reflector
- WB** = White Trim / Black Reflector
- WH** = White Trim / Haze Reflector
- WG** = White Trim / Gold Reflector

#### 5. Dimming

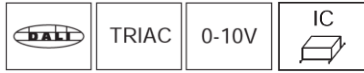
Please see Housing Ordering Sheet (page 2)

#### Accessories



\* Not available for LUZ4-SWWT      \*\* Only available optic for LUZ4-SWWT

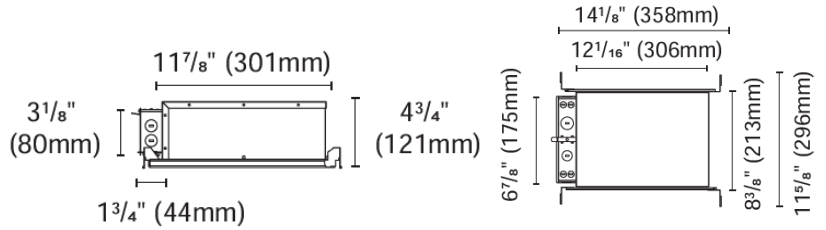
Example: **LUZ4-RO-SFT-30-M-WW** = 4" Regular Output Square Fixed Downlight – 3000K – 40° Optic – White Trim / White Reflector



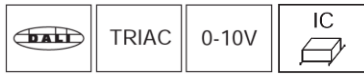
For LUZ4 / RO



New Construction



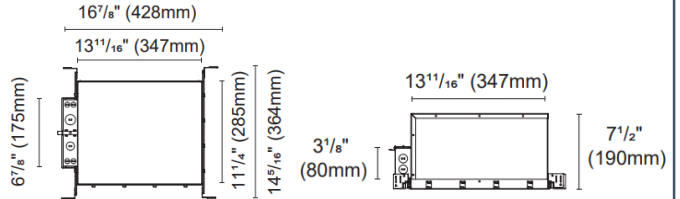
LZNCIC-4



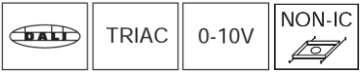
For LUZ4 / HO



New Construction



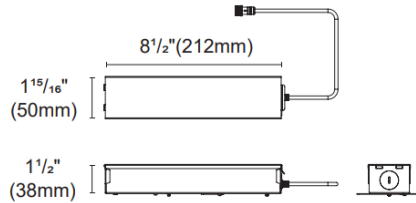
LZNCIC-45



For LUZ4 / RO



Remodel



Internal space dimension:  
L 8 1/4" (209mm) X W 1 7/8" (48mm) X H 1 5/16" (33mm)

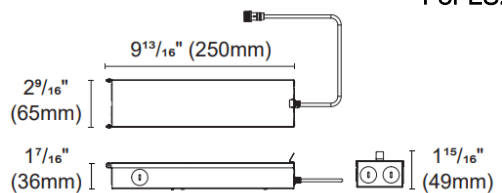
LZREM-4



For LUZ4 / HO




Remodel




Internal space dimension:  
L 9 9/16" (250mm) X W 2 1/2" (64mm) X H 1 5/16" (34mm)

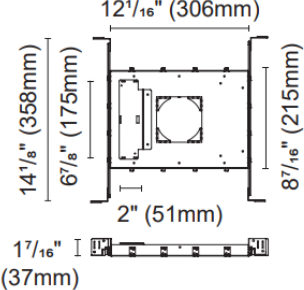
LZREM-45




TRIAC

0-10V

NON-IC
 





**New Construction Plate**

**LZNCP-4**

### 1. Trim Type

- LZNCIC-4\*** = New Construction Housing – IC Rated
- LZNCIC-45\*\*** = New Construction Housing – IC Rated
- LZREM-4\*** = Remodel Housing (non IC)
- LZREM-45\*\*** = Remodel Housing (non IC)

### 2. CONTROL

- TRIAC** = TRIAC (120V)
- 0-10V** = 0-10V (120-277V)
- DALI** = DALI (120-277V)

### 3. OPTIONS

- EMB** = Emergency Battery Holder / Battery Not Included



\* To be used with Luz4 RO / \*\* To be used with Luz4 HO

### Accessory

- LZNCP-4\*\*\*** = New Construction Plate (non IC)

\*To be installed with LZREM-34 or LZREM-45

Example: **LZNCIC-4-TRIAC** = New Construction Housing – Triac Dimming