

Fixture Type: \_\_\_\_\_  
 Type: \_\_\_\_\_  
 Project: \_\_\_\_\_  
 Location: \_\_\_\_\_

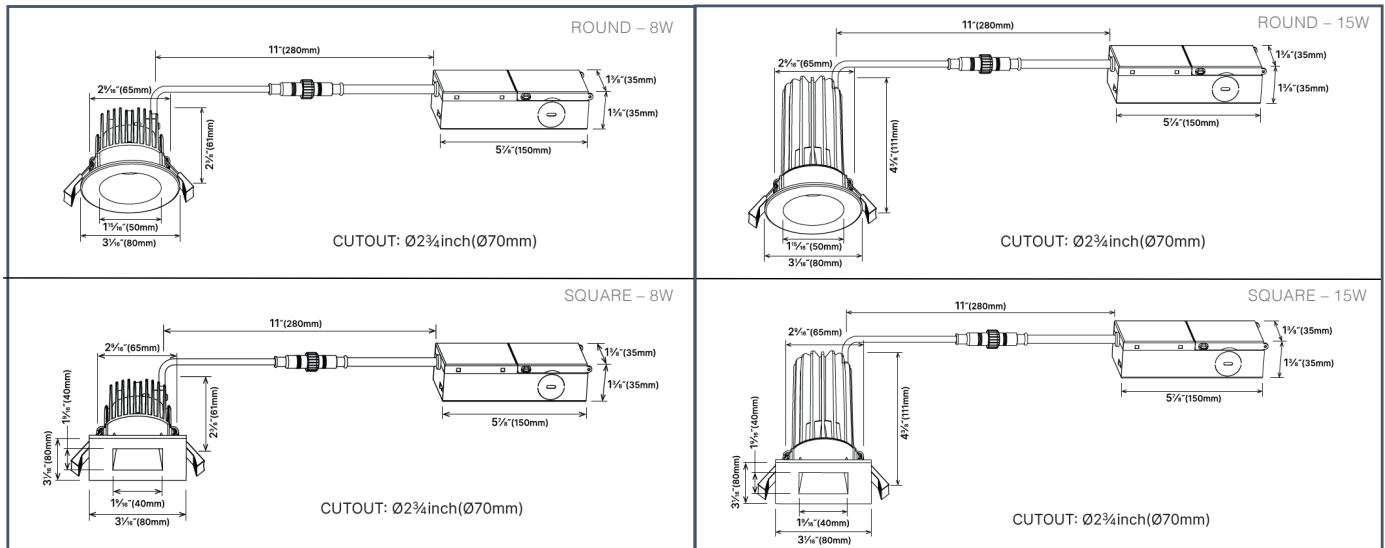


### TECHNICAL SPECIFICATION

Minimum profile downlight with conduit and driver included for easy remodel or new construction installation.

### SPECIFICATIONS

- Construction: Die-cast Aluminum
- IC Rated
- Power: 8W and 15W / Input: 120-277 VAC, 50/60Hz
- CCT: Adjustable: 2700K, 3000K, 3500K, 4000K, 5000K
- CRI: +90
- LED Source:
- Round: 8W 640lm~720lm / 15W 1150lm ~1350lm
- Square: 15W 560lm~640lm / 15W 1000lm ~1200lm
- Beam Angle: 36°
- Dimming Options: TRIAC
- Light Source: Integrated LED Lens: TIR lens
- Finish: Electrostatically Powder Coated: White, Black
- Standards: ETL, cETL, Wet Location Listed



#### 1. Trim Type

**NAN2 =** R = Round Reflector  
 S = Square Reflector

#### 2. Output

**8 = 8W**  
**15 = 15W**

#### 3. Finish

**W =** White Trim /  
 White Reflector  
**B =** Black Trim / Black  
 Reflector

#### FINISHES



WHITE

BLACK

Example: **NAN2-R-8-W**