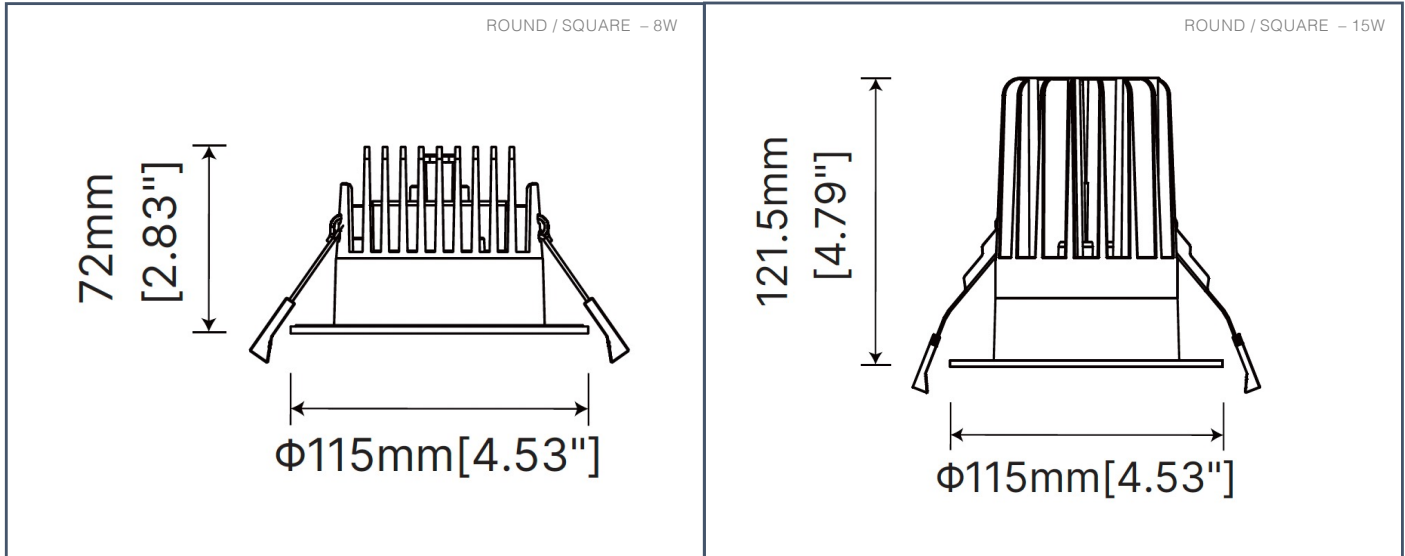


### TECHNICAL SPECIFICATION

Minimum profile downlight with driver included for easy remodel or new construction installation.

### SPECIFICATIONS

- Construction: Die-cast Aluminum
- IC Rated
- Power: 15W and 24W / Input: 120-277 VAC, 50/60Hz
- CCT: Adjustable: 2700K, 3000K, 3500K, 4000K, 5000K
- CRI: +90
- LED Source:
  - Round: 15W 1200lm ~1350lm / 24W 1800lm ~2150lm
  - Square: 15W 1050lm ~1200lm / 24W 1800lm ~1920lm
- Beam Angle: 36°
- Dimming Options: TRIAC
- Light Source: Integrated LED Lens: TIR lens
- Finish: Electrostatically Powder Coated: White, Black
- Standards: ETL, cETL, Wet Location Listed



#### 1. Trim Type

**NAN4 =** R = Round Reflector  
S = Square Reflector

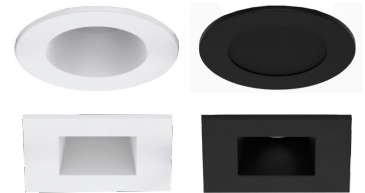
#### 2. Output

**15 = 15W**  
**24 = 24W**

#### 3. Finish

**W =** White Trim / White Reflector  
**B =** Black Trim / Black Reflector

#### FINISHES



WHITE

BLACK

Example: **NAN4-R-15-W**