



TECHNICAL SPECIFICATION

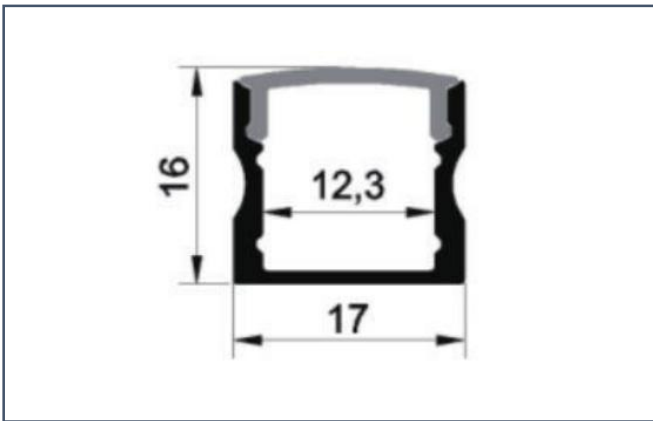
Mainly suitable for indoor lighting, simple shape, simple installation method, beautiful and generous. Made of high quality STCH-1617 aviation aluminum with silver oxidized surface, matching push-on PC mask. Push-in plug. Surface snap mount, matching stainless steel mounting clip

FEATURES

- Extruded Aluminum Construction
- Anodized matte finish
- Available In 39.37" (1m) and 78.74" (2m) Sections
- Walkover rated

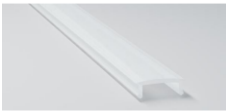
DIMENSIONS

- Length: 39.37" (1m) / 78.74" (2m)
- Width (External): 0.66" (17mm)
- Width (Internal): 0.48" (12.3mm)
- Height: 0.62" (16mm)



ACCESSORY

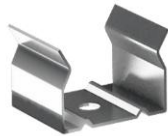
FROST WHITE LENS



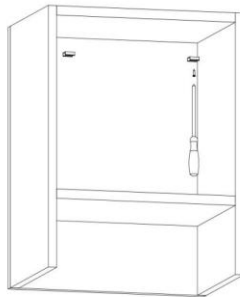
END CAP PAIR



MOUNTING CLIP



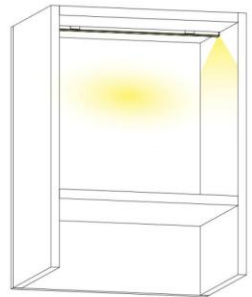
INSTALLATION STEP SCHEMATICS



Step 1: Secure the mounting clip



Step 2: Install the LED strip, plug, lampshade, fix the light body



Step 3: Connect the driver and turn on the power

1. Series
STCH-1617 = Salt Channel 1617

2. Length
1 = 1m (39.37")
2 = 2m (78.74")

3. Lens
FW = Frost White

4. End Cap
EC = End Cap*

*End Caps Included