

DESCRIPTION

Tracks allows continuous linkable without limitations, also can divide in sections to light up individual area, making lighting application easy as 123.

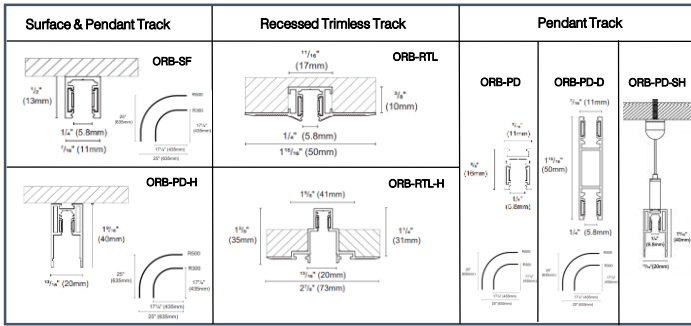
GENERAL INFORMATION

- Construction: Aluminum/ Spray powder
- Maximum Wattage per Loop: 96W (30 FT Distance Max)
- Input: 48VDC
- Dimming: Triac / ELV / 0-10V
- Recessed, Pendant and Surface mount options
- Color: Black/ White

CHARACTERISTIC

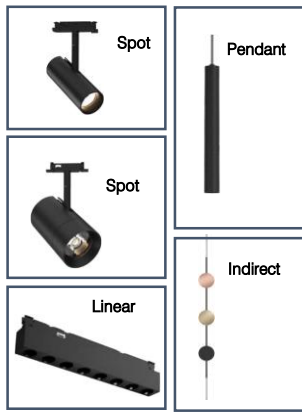
- Modularization and diversity connectors are designed for easy connecting diversity tracks and help to maximize creativity in linear style.

- Track is designed with a very narrow width for elegant appearance.



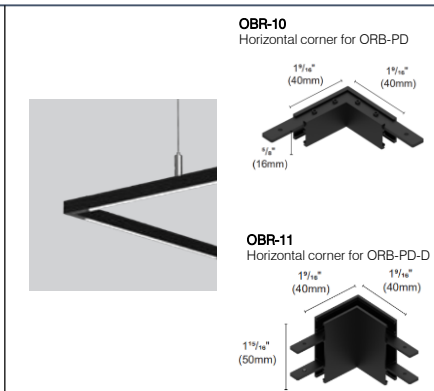
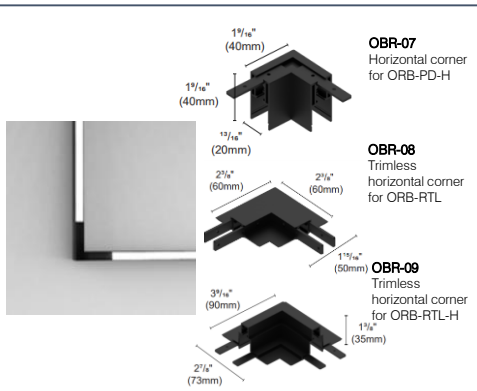
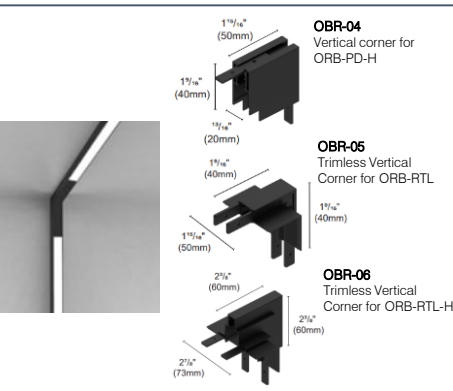
TRACK SECTION

Article Number	L(mm)	TYPE
ORB-SF-39-(B/W)	39.37"(1000mm)	Surface
ORB-SF-59-(B/W)	59.06"(1500mm)	Surface
ORB-SF-79-(B/W)	78.74"(2000mm)	Surface
ORB-PD-H-39-(B/W)	39.37"(1000mm)	Pendant H
ORB-PD-H-59-(B/W)	59.06"(1500mm)	Pendant H
ORB-PD-H-79-(B/W)	78.74"(2000mm)	Pendant H
ORB-RTL-39-(B/W)	39.37"(1000mm)	Recessed Trimless
ORB-RTL-59-(B/W)	59.06"(1500mm)	Recessed Trimless
ORB-RTL-H-39-(B/W)	39.37"(1000mm)	Recessed Trimless H
ORB-RTL-H-59-(B/W)	59.06"(1500mm)	Recessed Trimless H
ORB-RTL-H-79-(B/W)	78.74"(2000mm)	Recessed Trimless H
ORB-PD-39-(B/W)	39.37"(1000mm)	Pendant
ORB-PD-59-(B/W)	59.06"(1500mm)	Pendant
ORB-PD-79-(B/W)	78.74"(2000mm)	Pendant
ORB-PD-D-39-(B/W)	39.37"(1000mm)	Up-Down Pendant
ORB-PD-D-59-(B/W)	59.06"(1500mm)	Up-Down Pendant
ORB-PD-D-79-(B/W)	78.74"(2000mm)	Up-Down Pendant
ORB-PD-SH-39-(B/W)	39.37"(1000mm)	Suspended High Pendant
ORB-PD-SH-59-(B/W)	59.06"(1500mm)	Suspended High Pendant
ORB-PD-SH-79-(B/W)	78.74"(2000mm)	Suspended High Pendant



Availability of Modules to Install with Orbita - Spec Sheets available

Accessories (B/W) - Select B (black) or W (white) at the end of each code for finish option.



CIRCUIT JOINT



Article number **TYPE**
 ORB-13 Horizontal corner L
 (For ORB-SF / ORB-PD-H) Circuit joint



Article number **TYPE**
 ORB-14-2000 Power joint
 (For ORB-SF / ORB-PD-H / ORB-PD / ORB-PD-D / ORB-PD-SH) Length: 78.74" (2000mm)



Article number **TYPE**
 ORB-15-15 Circuit joint
 (For ORB-SF / ORB-PD-H / ORB-RTL / ORB-RTL-H / ORB-PD / ORB-PD-D / ORB-PD-SH) Length: 0.59" (15mm)



Article number **TYPE**
 ORB-15-300 Circuit joint
 (For ORB-SF / ORB-PD-H) Length: 11.81" (300mm)



Article number **TYPE**
 ORB-16 I Circuit joint
 (For ORB-SF / ORB-PD-H / ORB-RTL / ORB-RTL-H / ORB-PD / ORB-PD-D / ORB-PD-SH)



Article number **TYPE**
 ORB-01-200 Blank cover
 (For ORB-SF / ORB-RTL / ORB-RTL-H / ORB-PD / ORB-PD-D / ORB-PD-SH) Length: 78.74" (2000mm)



Article number **TYPE**
 ORB-08 Vertical corner
 (For ORB-SF) Right angle seat



Article number **TYPE**
 ORB-06 End cap
 (For ORB-SF / ORB-RTL / ORB-RTL-H / ORB-PD-H)
 *Tail cap has break-off holes for self-trimming



Article number **TYPE**
 ORB-07 Reinforced joint
 (For ORB-SF / ORB-PD / ORB-PD-D / ORB-PD-SH)



Article number **TYPE**
 ORB-02-200 Blank cover
 (For ORB-PD-H / ORB-RTL-H) Length: 78.74" (2000mm)



Article number **TYPE**
 ORB-14-2000 Power joint (For EU)
 ORB-17-2000 Power joint (For U.S)
 (For ORB-RTL / PRB-RTL-H) Length: 78.74" (2000mm)



Article number **TYPE**
 ORB-17-2 Reinforced joint
 (For ORB-RTL / PRB-RTL-H / ORB-PD-D / ORB-PD-SH) (2 pieces)



Article number **TYPE**
 ORB-18 End cap
 (For ORB-RTL-H)



Article number **TYPE**
 ORB-70 Circuit joint
 (For ORB-PD / ORB-PD-D / ORB-PD-SH) Length: 2.76" (70mm)

CEILING FASTENER / CABLE SUSPENTION



Article number	TYPE
ORB-01 For ORB-PD / ORB-PD-H	Pendant Kit



Article number	TYPE
ORB-02 (For ORB-PD / ORB-PD-H)	Pendant Kit for power Connection without power cord



Article number	TYPE
ORB-03 (For ORB-PD / ORB-PD-H)	Pendant Kit for power Connection without power cord (for U.S)



Article number	TYPE
ORB-04 (For ORB-PD-D)	Pendant Kit



Article number	TYPE
ORB-05 (For ORB-PD-D)	Pendant Kit for power connection without power cord (for EU)



Article number	TYPE
ORB-06 (For ORB-PD-D)	Pendant Kit for power connection without power cord (for U.S)