

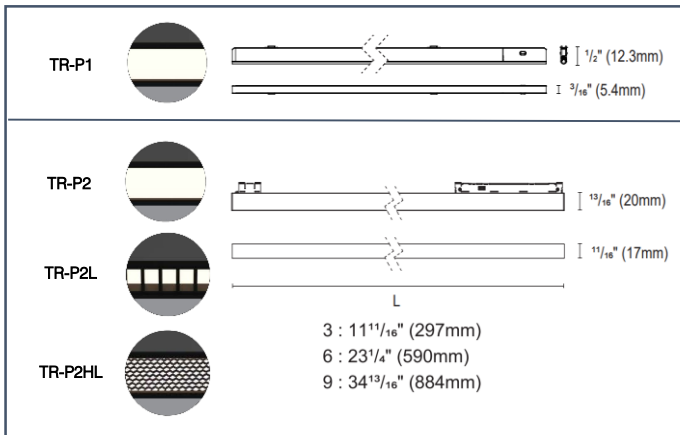


TECHNICAL SPECIFICATION

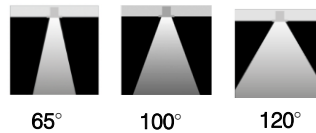
Modern and energy-efficient, our Linear Led Panel Light offers a sleek and slim design ideal for offices, commercial spaces, and residential interiors. Designed for ceiling integration, it provides uniform, glare-free illumination with a high luminous efficacy. Available in two sizes, it supports long service life, low maintenance, and excellent heat dissipation.

SPECIFICATIONS

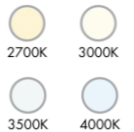
- Construction: Die-cast Aluminum
- Power: TR-P1: (5W /9W/ 14W) - TR-P2 / TR-P2L / TR-P2HL: (6W / 11W / 17W)
- Input: 48 VDC
- CCT: 3000K
- CRI: 90+
- LED Source: TR-P1: [134(lm) / 284(lm) / 445(lm)] - TR-P2 / TR-P2L / TR-P2HL: [823(lm) / 1646(lm) / 2469(lm)]
- Beam Angle: 65°: (TR-P2L /TR-P2HL) - 100° / 120° : (TR-P1 /TR-P2)
- Dimming Options: 0-10V
- Colors: Black/ White
- Standards: ETL, cETL, Damp Location Listed



OPTICS



CCT



FINISHES



* TR-P1 only in black

1. Trim Type

TR-P1 = Tierra 12.3mm

TR-P2 = Tierra 20mm

TR-P2L = Tierra 20mm (Panel L)

TR-P2HL = Tierra 20mm (Panel HL)

2. Length

3 = 11 11/16" (297mm)

6 = 23 1/4" (590mm)

9 = 34 13/16" (884mm)

3. CCT

27 = 2700K

30 = 3000K

35 = 3500K

40 = 4000K

4. Optic

N = 65° (TR-P2L /TR-P2HL)

NS = 100° (TR-P2)

M = 120° (TR-P1)

5. Finish

W = White

B = Black



Example: TR-P2L-6-30-NS-B = TIERRA 20mm - 23 1/4" (590mm) - 3000K – 100° Optic – Finish Black